



Designed to be fixed on a metal beam by clamping.

Compatible with the Stainless steel extremity plate FA 60 201 00 and the intermediate bracket FA 60 204 00.

Minimum clamping: 150 mm

Maximum clamping: 220 mm

Dimensions:

- **Length:** 275 mm
- **Width:** 275 mm

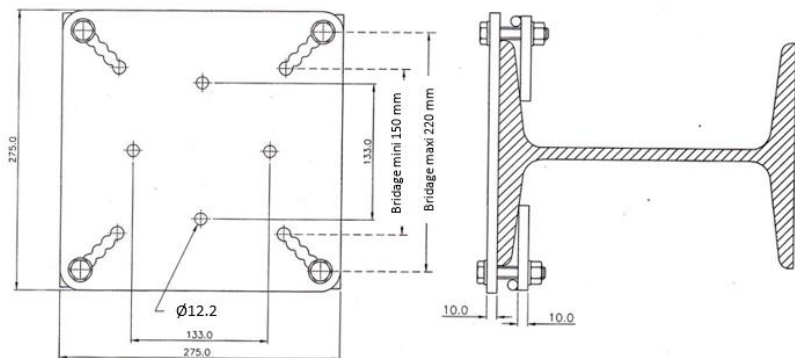
Hardware:

- 4 pcs. of M12 threaded studs, length 60 mm,
- 2 CSK M12x45 screws, 2 Nylock nuts and 2 washers for fixing the extremity plate,
- 1 CSK M12x30 screw, 1 Nylock nut and 1 washer for fixing the intermediate bracket.

Compliance: EN 795:2012 Type A

Static strength > 12 kN

Breaking strength > 26 kN



Material:

Galvanized steel

| | |
|-------------------------------------------------------------------------------------|-----------------|
|  | Weight : |
| | 10 kg |

KRATOS SAFETY
689, Chemin du Buclay
38540 HEYRIEUX (France) – FRANCE

Tel. : +33 (0)4 72 48 78 27
Fax. : +33 (0)4 72 48 58 32

www.kratossafety.com / info@kratossafety.com

HS CODE

CARTON SIZE / PCS.

39 x 28 x 14 cm / 2

Product tested at DOLOMITICERT

DolomitiCert Scarl

Zona Industriale Villanova – 32013 LONGARONE

Test report 151016 – Against EN795 : 2012

Test report 1510107 – Against CEN/TS 16415 : 2013