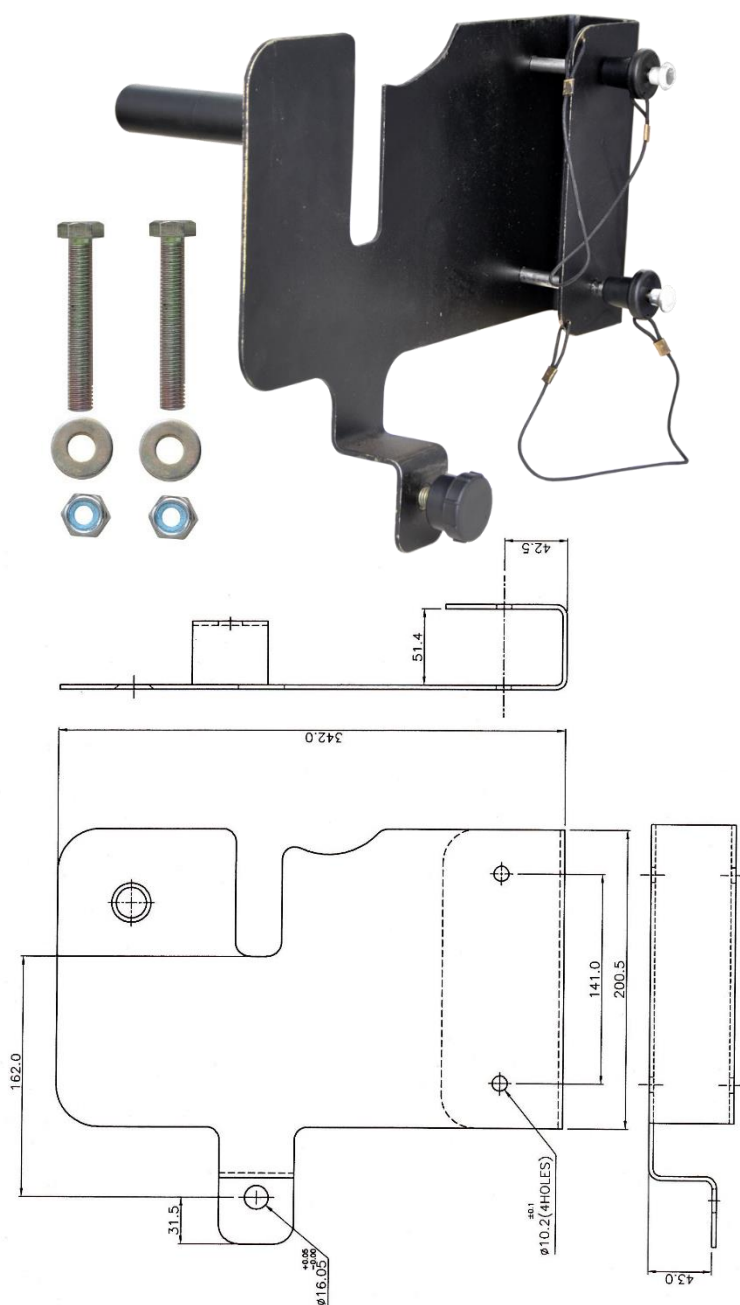




TECHNICAL SHEET FA 60 022 04


MULTISAFEWAY ADAPTATION PLATE FOR FA 20 401 20



MultiSafeWay adaptation plate for retractable fall arrester with integrated winch FA 20 401 20

Anchor plate, to be fixed to MultiSafeWay (FA 60 022 00) through safety pins (for temporary fixation).

Can also be fixed permanently, through the screws and bolts (2 hex head bolts, 2 plain washers, 2 Nylock nuts) that are provided with the plate.

 This plate can only be used with KRATOS SAFETY devices (MultiSafeWay - ref. FA 60 022 00, Retractable fall arrester with integrated winch Olympe 20 m - ref. FA 20 401 20).



Material of components :

Plate : Steel



Weight:

2.71 kg

KRATOS SAFETY
689 Chemin du Buclay
38540 HEYRIEUX – FRANCE

Tel. : +33 (0)4 72 48 78 27
Fax. : +33 (0)4 72 48 58 32

www.kratossafety.com / info@kratossafety.com

HS CODE

8308100

CARTON SIZE / PIECES

40 x 40 x 24 cm / 5

ARTICLE 11 GB07/73551

SGS United Kingdom Ltd., N°0120

Unit 202B, Worle Parkway,
Weston-super-Mare, BS22 6WA, United Kingdom