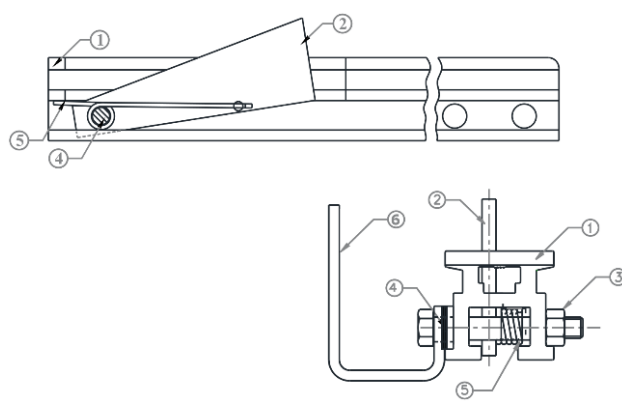


Aluminium rail extremity for KS 8000 system



Aluminium rail extremity for KS 9000 system

- Equipped with a manual spring lock that prevents the Trolley from accidentally moving out of the rail.
- Non-inverting system (L-shaped end) to prevent installing the device upside down on the anchor line.



- 1 : Lower end of the rail - 2 : Manual spring lock - 3 : Hex head bolt
 4 : Hex head screw - 5 : Left twist spring - 6 : Non-inverting system

Compliance : EN353-1:2014.

Material:

Aluminium

Length:		Weight:
3 m		4.10 kg

KRATOS SAFETY

689 Chemin du Buclay
 38540 Heyrieux – FRANCE

Tel : +33 (0)4 72 48 78 27
 Fax : +33 (0)4 72 48 58 32

www.kratossafety.com / info@kratossafety.com

HS CODE

76161000

DIMENSIONS CARTON / UC

302 x 10 x 12 / 6

AET N°8836 I2 E1

Satra Technology Centre, N°0321
 Wyndham Way, Telford Way, Kettering
 Northamptonshire, NN16 8SD, United Kingdom

ARTICLE 11 GB07/73551

SGS United Kingdom Ltd., N°0120
 Unit 202B, Worle Parkway,
 Weston-super-Mare, BS22 6WA, United Kingdom