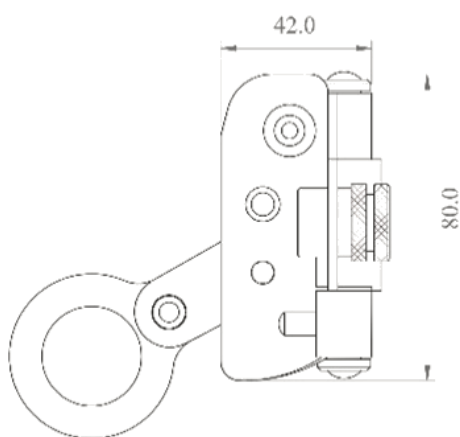


Fall Arrester sliding on Kernmantle Rope



- Works on 12 mm dia. anchorage line, without any manual intervention.
- Steel Karabiner FA 50 101 17 as an attachment element.
- Simple opening / closing system.
- Has a manual locket position for work on inclined roof.
- **Minimum breaking strength** : 15 kN.

Connector: 1 steel screw-locking karabiner 18 mm, ref. FA 50 101 17 for connection on a harness.

Compliance: Conforms to EN 353-2:2002.

Material of components:

Rope grab: Stainless steel

Connector: steel

	Weight: 0.660 kg
---	----------------------------

KRATOS SAFETY

689 Chemin du Buclay
38540 Heyrieux – FRANCE

Tel : +33 (0)4 72 48 78 27

Fax : +33 (0)4 72 48 58 32

www.kratossafety.com / info@kratossafety.com

HS CODE

83081010

CARTON SIZE / PCS.

60 x 40 x 24 cm / 20

AET N°7873 I1 E1

Satra Technology Centre, N°0321
Wyndham Way, Telford Way, Kettering
Northamptonshire, NN16 8SD, United Kingdom

ARTICLE 11 GB07/73551

SGS United Kingdom Ltd., N°0120
Unit 202B, Worle Parkway,
Weston-super-Mare, BS22 6WA, United Kingdom