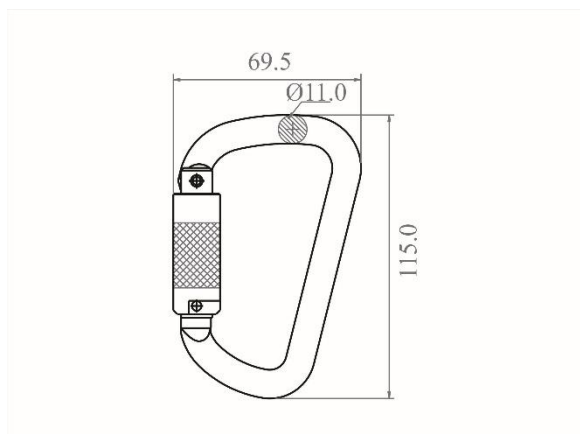




TECHNICAL SHEET FA 50 106 22

STAINLESS STEEL QUARTER TURN-LOCKING KARABINER



Size:	CE	Weight:
		0,240 kg

KRATOS SAFETY

689 Chemin du Buclay
38540 Heyrieux – FRANCE

Tel : +33 (0)4 72 48 78 27

Fax : +33 (0)4 72 48 58 32

www.kratossafety.com / info@kratossafety.com

Stainless steel quarter turn-locking karabiner

Opening: 22.5 mm.

Minimum breaking strength: 25 kN.

Compliance: Conforms to EN362:2004 Class B.

Material of components:

Stainless steel

HS CODE

7326 90 98

CARTON SIZE / PCS.

40 x 30 x 24 / 100

AET N°6774 I5 E2

Satra Technology Centre, N°0321
Wyndham Way, Telford Way, Kettering
Northamptonshire, NN16 8SD, United Kingdom

ARTICLE 11 GB07/73551

SGS United Kingdom Ltd., N°0120
Unit 202B, Worle Parkway,
Weston-super-Mare, BS22 6WA, United Kingdom