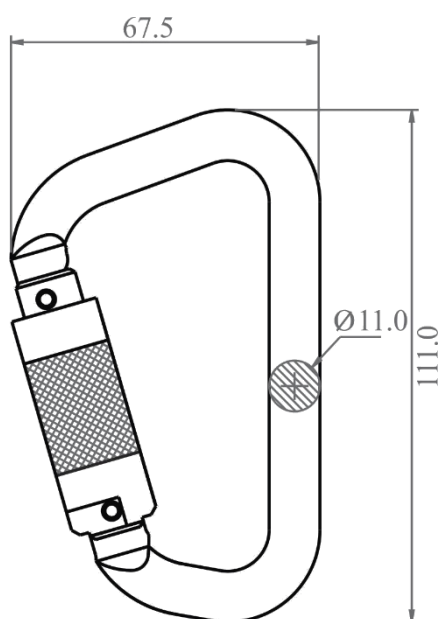




## TECHNICAL SHEET FA 50 201 22B

### ALUMINIUM QUARTER-TURN LOCKING KARABINER, KEYLOCK TYPE



Gate opening :	<b>CE</b>	Weight:
20 mm		0,09 kg

#### KRATOS SAFETY

689 Chemin du Buclay  
38540 Heyrieux – FRANCE

Tel : +33 (0)4 72 48 78 27

Fax : +33 (0)4 72 48 58 32

[www.kratossafety.com](http://www.kratossafety.com) / [info@kratossafety.com](mailto:info@kratossafety.com)

Aluminium Quarter-Turn Locking Karabiner, Keylock type

**Opening:** 20 mm

**Minimum breaking strength:** 23 kN

**Compliance:** EN362 : 2004 Class B

#### Material of components:

Aluminium Alloy

#### HS CODE

7616 99 90

#### CARTON SIZE / PCS.

60 x 40 x 24 cm / 200

#### AET N°7550 I1 E1

Satra Technology Centre, N°0321  
Wyndham Way, Telford Way, Kettering  
Northamptonshire, NN16 8SD, United Kingdom

#### ARTICLE 11 GB07/73551

SGS United Kingdom Ltd., N°0120  
Unit 202B, Worle Parkway,  
Weston-super-Mare, BS22 6WA, United Kingdom