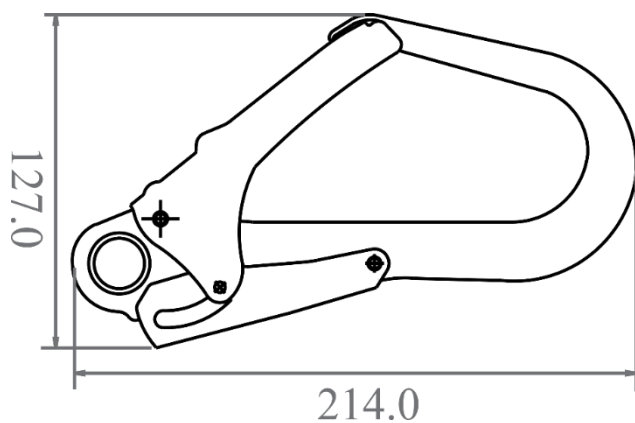




TECHNICAL SHEET FA 50 207 55

SCAFFOLD HOOK



Scaffold Hook

Opening: 50.8 mm

Breaking strength: 23 kN.

Compliance: EN362:2004 Classe T

Material of components:

Forged steel

	Weight: 0.51 kg
--	---------------------------

KRATOS SAFETY
689 Chemin du Buclay
38540 Heyrieux – FRANCE

Tel : +33 (0)4 72 48 78 27
Fax : +33 (0)4 72 48 58 32

www.kratossafety.com / info@kratossafety.com

HS CODE

7326 90 98

CARTON SIZE / PCS.

40 x 30 x 15 / 25

AET N°2344 I2 E15

Satra Technology Centre, N°0321
Wyndham Way, Telford Way, Kettering
Northamptonshire, NN16 8SD, United Kingdom

ARTICLE 11 GB07/73551

SGS United Kingdom Ltd., N°0120
Unit 202B, Worle Parkway,
Weston-super-Mare, BS22 6WA, United Kingdom