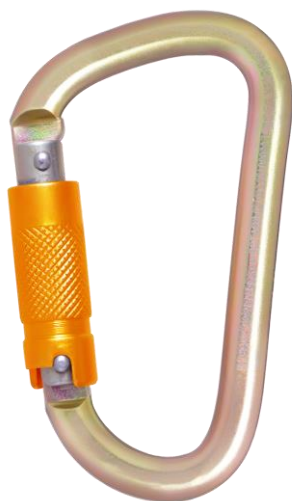


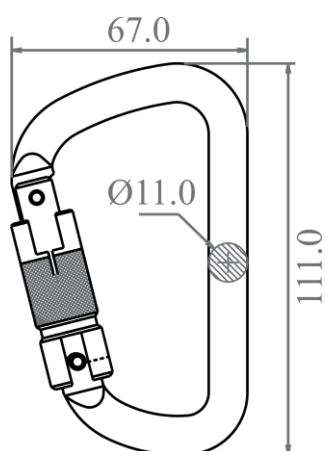


TECHNICAL SHEET FA 50 301 23B

STEEL TRIPLE ACTION-LOCKING KARABINER, KEYLOCK TYPE

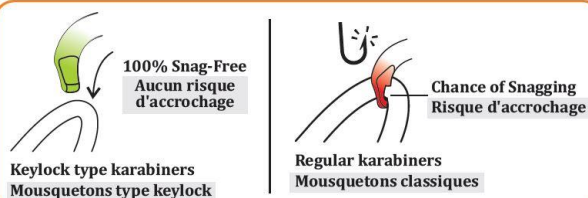


Keylock Version



Steel triple action-locking karabiner, keylock type

- Gate opening : 22 mm.
- Breaking strength : 45 kN
- Why choosing Keylock version :



- Compliance : EN362:2004 Type B.

Material of components : Steel

Opening	CE	Weight :
22 mm		0.25 kg

KRATOS SAFETY
689 Chemin du Buclay
38540 HEYRIEUX – FRANCE

Tel. : +33 (0)4 72 48 78 27
Fax. : +33 (0)4 72 48 58 32

www.kratossafety.com / info@kratossafety.com

HS CODE

7326 90 98

CARTON SIZE / PIECES

40 x 30 x 24 cm / 100

AET N°1503 I14 E2

Satra Technology Centre, N°0321

Wyndham Way, Telford Way, Kettering
Northamptonshire, NN16 8SD, United Kingdom

ARTICLE 11 GB07/73551

SGS United Kingdom Ltd., N°0120

Unit 202B, Worle Parkway,
Weston-super-Mare, BS22 6WA, United Kingdom