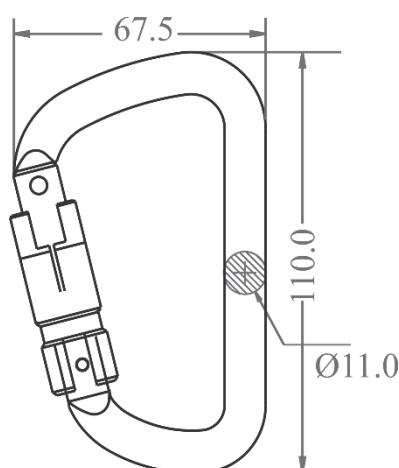




TECHNICAL SHEET FA 50 302 22

KEYLOCK ALUMINIUM TRIPLE ACTION-LOCKING KARABINER



- **Opening** : 21 mm.
- **Breaking strength** : 23 kN
- **Compliance** : EN 362:2004 Type B.

Material: Aluminium

Gate opening:	CE	Weight :
21 mm		0,09 kg

KRATOS SAFETY

689 Chemin du Buclay
38540 Heyrieux – FRANCE

Tel. : +33 (0)4 72 48 78 27

Fax. : +33 (0)4 72 48 58 32

www.kratossafety.com / info@kratossafety.com

HS CODE

7616 99 90

CARTON SIZE / PIECES

60 x 40 x 24 cm / 200

AET N°2006 I4 E4

Satra Technology Centre, N°0321

Wyndham Way, Telford Way, Kettering
Northamptonshire, NN16 8SD, United Kingdom

ARTICLE 11 GB07/73551

SGS United Kingdom Ltd., N°0120

Unit 202B, Worle Parkway,
Weston-super-Mare, BS22 6WA, United Kingdom