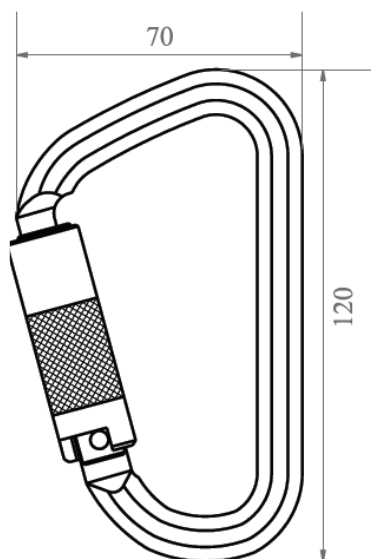
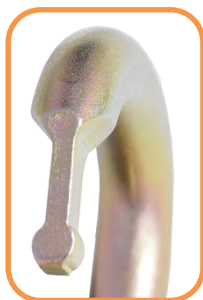
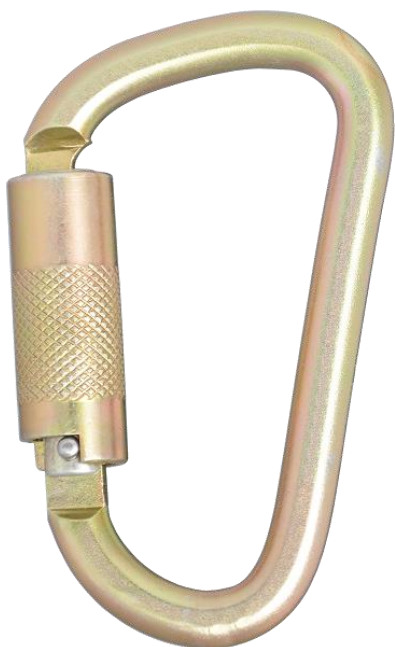


STEEL QUARTER TURN-LOCKING KARABINER, KEYLOCK TYPE

Steel quarter turn-locking karabiner, keylock type

- **Gate opening:** 23 mm.
- **Minimum breaking strength:** 45 kN.
- **Compliance:** EN362:2004 Class B.

Material:

Steel

Gate opening:		Weight:
23 mm		0,25 kg

KRATOS SAFETY

 689 Chemin du Buclay
 38540 Heyrieux – FRANCE

 Tel : +33 (0)4 72 48 78 27
 Fax : +33 (0)4 72 48 58 32

www.kratossafety.com / info@kratossafety.com
HS CODE

7326 90 98

CARTON SIZE / PCS.

40 x 30 x 24 cm / 100

AET N° I E

 Satra Technology Centre, N°0321
 Wyndham Way, Telford Way, Kettering
 Northamptonshire, NN16 8SD, United Kingdom

ARTICLE 11 GB07/73551

 SGS United Kingdom Ltd., N°0120
 Unit 202B, Worle Parkway,
 Weston-super-Mare, BS22 6WA, United Kingdom