

## Boot Covers for high boots

### Protect against dirt, dust and areozoles\*.

#### SPECIFICATIONS:

- Made of barrier material - unwoven fabric laminated with microporous MPFL 65g/m<sup>2</sup> film, which increases their strength and resistance to external factors
- Flexible legs to fit the leg
- Slide protection straps - for greater comfort in use
- Colour white

#### APPLICATIONS:

- Painting
- Overhaul and construction works
- Repairs and maintenance of machines and equipment
- Protection against dusts and substances not harmful to health
- Application of industrial coatings
- Carrying out inspections at the workplace (visitor guards)
- Garden work
- Cleaning
- Protection of clothing

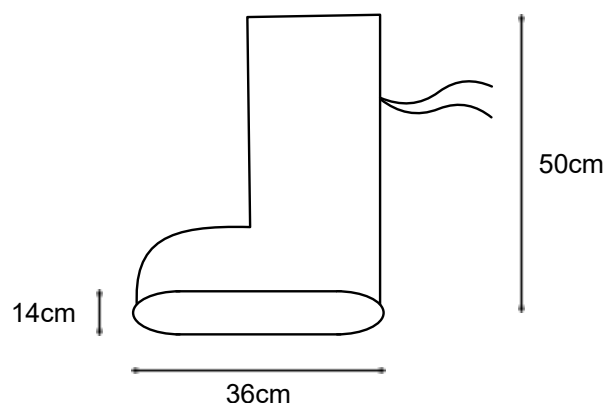


#### PACKAGING::

Quantity in a box - 50 pairs - 100pcs.  
 Dimensions of a box - 43 cm x 30 cm x 24 cm  
 Expiration date 5 years from the date of manufacture,  
 which can be found on the product label.



#### ONESIZE



**DECLARATION OF CONFORMITY:** The EU Declaration of Conformity is available at: [www.oxyline.eu](http://www.oxyline.eu)

The product was designed and placed on the market in accordance with Regulation (EU) 2016/425 of the European Parliament and of the Council of 9 March 2016.

\*The duration of use of the shields depends directly on the use and care taken, bearing in mind that they are disposable or short-lived. They guarantee an adequate level of protection for the user in the part they cover. Shields against hazards caused by non-toxic dust, non-toxic solids and other similar non-toxic waste and against light mechanical hazards such as abrasions, scratches, etc. and spraying of non-toxic liquids under low pressure. Do not use this POP for other types of hazards.