

High-shoe covers with anti-slip soles.

Protect against dirt, dust and areozoles*.

SPECIFICATIONS:

- Made of barrier material - nonwoven fabric laminated with microporous MPFL 65g/m², outer layer: polyethylene film, inner layer: polypropylene nonwoven. Anti-slip sole with a weight of 530g/m².
- Flexible legs to fit the leg
- Slide protection straps - for greater comfort in use
- Colour white

APPLICATIONS:

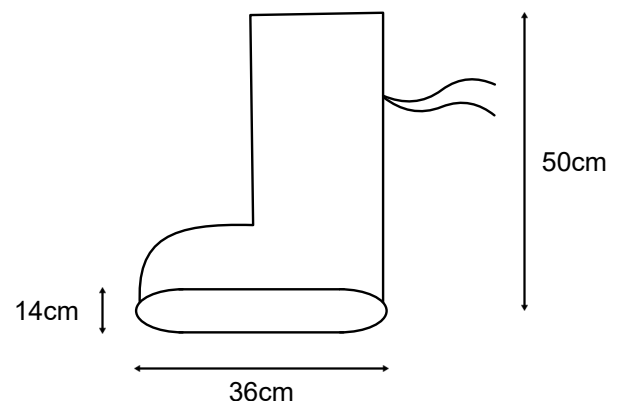
- Painting
- Overhaul and construction works
- Repairs and maintenance of machines and equipment
- Protection against dusts and substances not harmful to health
- Application of industrial coatings
- Carrying out inspections at the workplace (visitor guards)
- Garden work
- Cleaning
- Protection of clothing

PACKAGING::

Quantity in a box - 50 pairs - 100pcs.
 Dimensions of a box - 43 cm x 30 cm x 24 cm
 Expiration date 5 years from the date of manufacture, which can be found on the product label.



ONESIZE



DECLARATION OF CONFORMITY: The EU Declaration of Conformity is available at: www.oxyline.eu

The product was designed and placed on the market in accordance with Regulation (EU) 2016/425 of the European Parliament and of the Council of 9 March 2016.

*The duration of use of the shields depends directly on the use and care taken, bearing in mind that they are disposable or short-lived. They guarantee an adequate level of protection for the user in the part they cover. Shields against hazards caused by non-toxic dust, non-toxic solids and other similar non-toxic waste and against light mechanical hazards such as abrasions, scratches, etc. and spraying of non-toxic liquids under low pressure. Do not use this POP for other types of hazards.