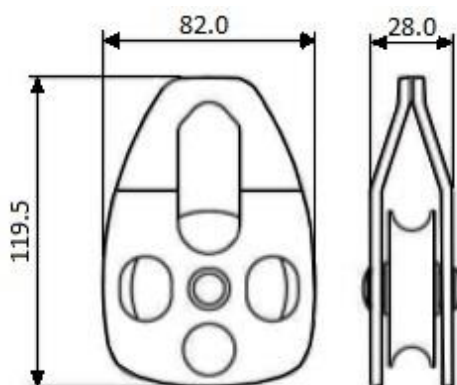




## TECHNICAL SHEET FA 70 016 01

### SIMPLE PULLEY WITH MOVEABLE FLANGES, SINGLE ATTACHMENT



- **Pulley for a multipurpose use** (redirection of rope, reeving, ...)
- Stainless steel sheave, mounted on ball bearing.
- Openable flanges.
- Aluminium body, silver finish.
- Works on 9-12 mm diameter Kernmantle rope.
- **Minimum breaking strength** > 40 kN.
- **Workload:** 8 kN
- **Sheave diameter:** 45 mm.

**Compliance** : EN12278

#### Material of components:

**Body:** Aluminium

**Sheave:** Inox

	<b>Weight :</b>
	0.41 kg

#### **KRATOS SAFETY**

689 Chemin du Buclay  
38540 Heyrieux – FRANCE

Tel. : +33 (0)4 72 48 78 27

Fax. : +33 (0)4 72 48 58 32

[www.kratossafety.com](http://www.kratossafety.com) / [info@kratossafety.com](mailto:info@kratossafety.com)

<b>HS CODE</b>
8425 19 20
<b>CARTON SIZE / PIECES</b>
40x30x15 cm / 25
<b>Satra Technology Centre, N°0321</b> Wyndham Way, Telford Way, Kettering Northamptonshire, NN16 8SD, United Kingdom
<b>ARTICLE 11 GB07/73551</b>
<b>SGS United Kingdom Ltd., N°0120</b> Unit 202B, Worle Parkway, Weston-super-Mare, BS22 6WA, United Kingdom