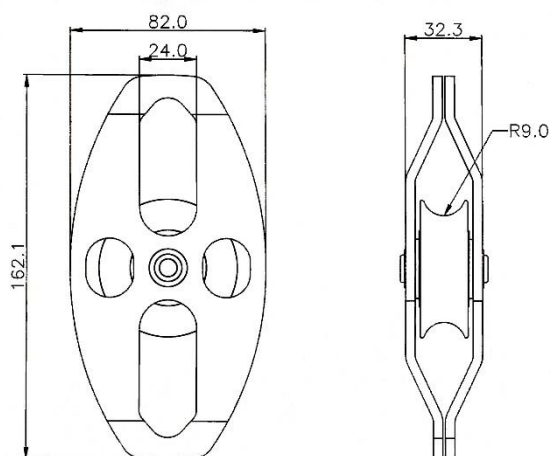




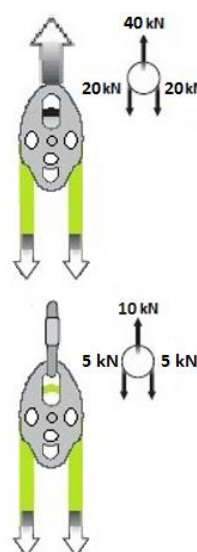
# TECHNICAL SHEET FA 70 022 01

## SIMPLE PULLEY WITH MOVEABLE FLANGES, DOUBLE ATTACHMENT



**Pulley for a multipurpose use** (redirection of rope, reeving, ...)

- **Aluminium body**, silver finish.
- Works on 9-16 mm diameter Kernmantle rope.
- **Stainless steel sheave**, mounted on ball bearing.
- **Minimum breaking strength** > 40 kN.



- **Max. workload** : 10 kN.
- **Sheave diameter** : 45 mm.

**Compliance** : EN12278

### Material of components:

**Body:** Aluminium

**Sheave:** Stainless steel

	<b>Weight:</b>
	0.29 kg

### KRATOS SAFETY

689 Chemin du Buclay  
38540 Heyrieux – FRANCE

Tel. : +33 (0)4 72 48 78 27

Fax. : +33 (0)4 72 48 58 32

[www.kratossafety.com](http://www.kratossafety.com) / [info@kratossafety.com](mailto:info@kratossafety.com)

### HS CODE

8425 19 20

### CARTON SIZE / PIECES

40 x 30 x 15 cm / 25

### Satra Technology Centre, N°0321

Wyndham Way, Telford Way, Kettering  
Northamptonshire, NN16 8SD, United Kingdom

### ARTICLE 11 GB07/73551

### SGS United Kingdom Ltd., N°0120

Unit 202B, Worle Parkway,  
Weston-super-Mare, BS22 6WA, United Kingdom