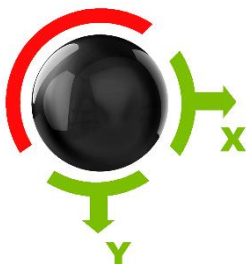
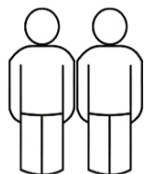


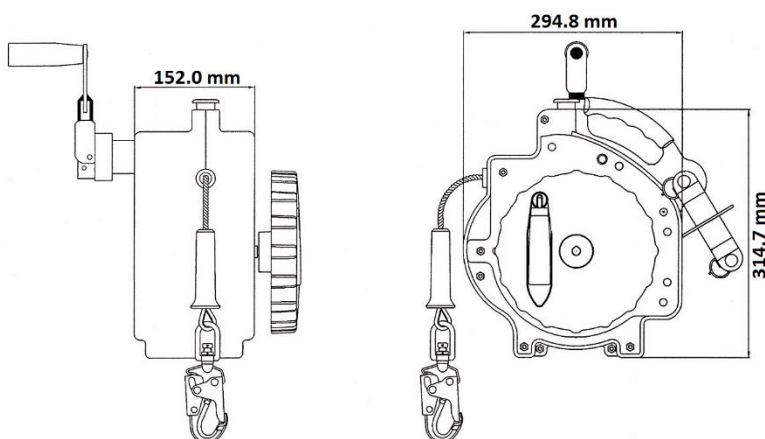


# TECHNICAL SHEET FA 60 033 18

## RETRACTABLE TEMPORARY HORIZONTAL LIFELINE, MAX. LENGTH 18 M



Tension indicator



- Provides continuous anchorage to workers operating on horizontal planes like rooftops, elevated platforms, etc.
- Retractable wire rope horizontal lifeline, max. length 18 m, extremely easy to install, lightweight, ready to use.
- Quick dismantling and re-installation on a new site thanks to the inbuilt winch.
- Durable and high strength polymer casings, with carrying handle having a tension indicator.
- Inbuilt shock absorption mechanism to limit the impact forces during fall arrest.
- The cable has a swivel snap hook in order to avoid the twisting of the rope; the snap hook has also an impact indicator.
- Can be simultaneously used by 1 or 2 people.
- 6.0 mm dia. galvanized steel wire rope.
- **Minimum Breaking Strength: 22kN.**

**Compliance :** EN 795:2012 Type C, TS 16415:2013 Type C,  II 2 G Ex h IIC T6 Gb (ATEX).

### Material of components:

**Casings:** Polymer / **Wire rope:** Steel

Max. length:

18 m



Weight:

13.1 kg

### KRATOS SAFETY

689 Chemin du Buclay  
38540 Heyrieux – FRANCE

Tel : +33 (0)4 72 48 78 27

Fax : +33 (0)4 72 48 58 32

[www.kratossafety.com](http://www.kratossafety.com) / [info@kratossafety.com](mailto:info@kratossafety.com)

### HS CODE

73129000

### CARTON SIZE / PCS.

48,5 x 32 x 33 cm / 1

### TECHNICAL REPORT N°SCP0238860/1540 Issue 4

Satra Technology Centre, N°0321  
Wyndham Way, Telford Way, Kettering  
Northamptonshire, NN16 8SD, United Kingdom

### ARTICLE 11 GB07/73551

SGS United Kingdom Ltd., N°0120  
Unit 202B, Worle Parkway,  
Weston-super-Mare, BS22 6WA, United Kingdom