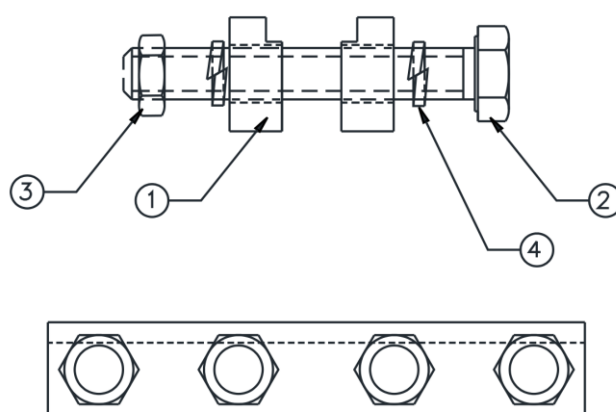


Composition :

- 1 : Junction (x2),
- 2 : Bolt (x4),
- 3 : Lock nut (x4),
- 4 : Lock washer (x8).

Material of components:

Stainless steel 316

	CE	Weight:	
--	-----------	----------------	--

KRATOS SAFETY

689 Chemin du Buclay
38540 Heyrieux – FRANCE

Tel : +33 (0)4 72 48 78 27

Fax : +33 (0)4 72 48 58 32

www.kratossafety.com / info@kratossafety.com

HS CODE
83081000
CARTON SIZE / PCS.
40 x 30 x 15 cm / 100
ARTICLE 11 GB07/73551
SGS United Kingdom Ltd., N°0120 Unit 202B, Worle Parkway, Weston-super-Mare, BS22 6WA, United Kingdom