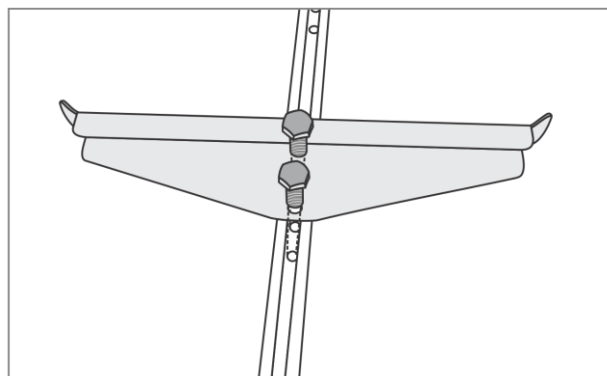


**Ladder rung assembly for KS 9000 vertical system**

**Ladder rung assembly for KS 9000 vertical system**

- Ladder rung to fix on the aluminium rail, with a grooved surface to provide better grip and stability to the operator.
- Provided with 2 pcs. of fasteners (2 nuts & bolts + 2 washers).


**Material:**

Galvanized steel


**Weight :**

0.85 kg

**KRATOS SAFETY**

 689 Chemin du Buclay  
 38540 Heyrieux – FRANCE

Tel : +33 (0)4 72 48 78 27

Fax : +33 (0)4 72 48 58 32

[www.kratossafety.com](http://www.kratossafety.com) / [info@kratossafety.com](mailto:info@kratossafety.com)
**CARTON SIZE / PCS.**

40 x 30 x 19 cm / 30

 Satra Technology Centre, N°0321  
 Wyndham Way, Telford Way, Kettering  
 Northamptonshire, NN16 8SD, United Kingdom

**ARTICLE 11 GB07/73551**

 SGS United Kingdom Ltd., N°0120  
 Unit 202B, Worle Parkway,  
 Weston-super-Mare, BS22 6WA, United Kingdom