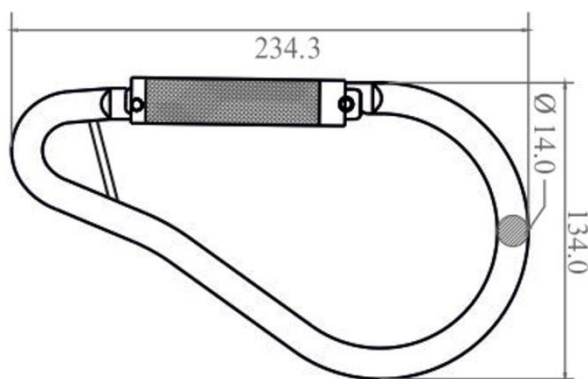




TECHNICAL SHEET FA 50 216 55

STEEL TOWER QUARTER-TURN LOCKING HOOK



Steel Tower Quarter-Turn Locking Hook,

Opening : 55 mm

Minimum breaking strength : 23 kN

Compliance : EN362 : 2004 Class T

Material of components:

Steel

	CE	Weight:
		0.74 kg

KRATOS SAFETY

689 Chemin du Buclay
38540 Heyrieux – FRANCE

Tel : +33 (0)4 72 48 78 27

Fax : +33 (0)4 72 48 58 32

www.kratossafety.com / info@kratossafety.com

HS CODE

7326 90 98

CARTON SIZE / PCS.

40 x 30 x 15 / 25

AET N°5982 I1 E1

Satra Technology Centre, N°0321
Wyndham Way, Telford Way, Kettering
Northamptonshire, NN16 8SD, United Kingdom

ARTICLE 11 GB07/73551

SGS United Kingdom Ltd., N°0120
Unit 202B, Worle Parkway,
Weston-super-Mare, BS22 6WA, United Kingdom