

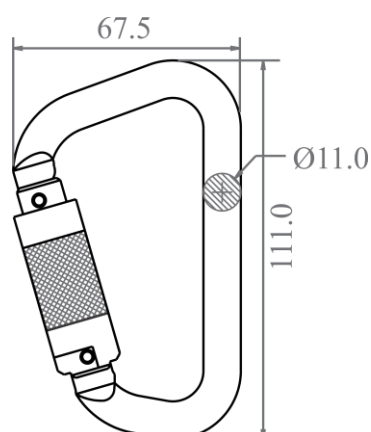


TECHNICAL SHEET FA 50 217 22 B

ALUMINIUM QUARTER TURN-LOCKING KARABINER, KEYLOCK TYPE



Keylock Version

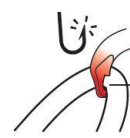


- **Gate opening** : 21 mm.
- **Breaking strength** : 23 kN.
- **Individual number** inscribed on the karabiner.
- **Why choosing Keylock version** :



100% Snag-Free
Aucun risque
d'accrochage

Keylock type karabiners
Mousquetons type keylock



Chance of Snagging
Risque d'accrochage

Regular karabiners
Mousquetons classiques

- **Compliance** : EN362 :2004 Type B.

Material of components : Aluminium

Opening	CE	Weight :
21 mm		0,09 kg

KRATOS SAFETY

689, chemin du Buclay
38540 Heyrieux – FRANCE

Tel. : +33 (0)4 72 48 78 27

Fax. : +33 (0)4 72 48 58 32

www.kratossafety.com / info@kratossafety.com

HS CODE

7616 99 90

CARTON SIZE / PIECES

60 x 40 x 24 / 200

AET 7550 N° Issue 1 Extension 1

Satra Technology Centre, N°0321

Wyndham Way, Telford Way, Kettering
Northamptonshire, NN16 8SD, United Kingdom

ARTICLE 11 GB07/73551

SGS United Kingdom Ltd., N°0120

Unit 202B, Worle Parkway,
Weston-super-Mare, BS22 6WA, United Kingdom