

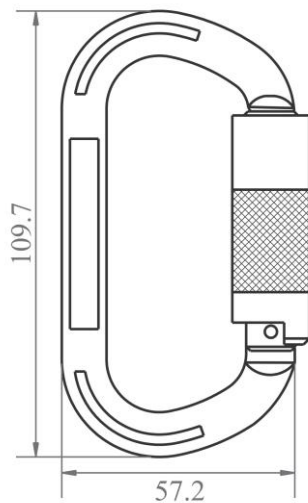


# TECHNICAL SHEET FA 50 219 14B

## ALUMINIUM QUARTER TURN-LOCKING KARABINER, KEYLOCK TYPE

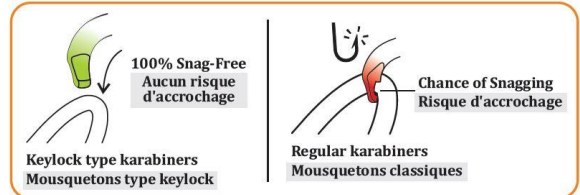


Keylock version



### Aluminium quarter turn-locking karabiner, keylock type

- Symmetrical oval shape, specially adapted for devices with widely-spaced side flanges.
- **Gate opening:** 14 mm.
- **Resistance:** 23 kN
- **Why choosing Keylock :**



- **Compliance:** EN 362:2004 Class B.

**Material:** Aluminium

Gate opening :	<b>CE</b>	Weight:
14 mm		0,10 kg

#### KRATOS SAFETY

689 Chemin du Buclay  
38540 Heyrieux – FRANCE

Tel. : +33 (0)4 72 48 78 27  
Fax. : +33 (0)4 72 48 58 32

[www.kratossafety.com](http://www.kratossafety.com) / [info@kratossafety.com](mailto:info@kratossafety.com)

#### HS CODE

7616 99 90

#### CARTON SIZE / PCS.

40x30x24 cm / 100

AET N°7546 I1 E1

#### Satra Technology Centre, N°0321

Wyndham Way, Telford Way, Kettering  
Northamptonshire, NN16 8SD, United Kingdom

#### ARTICLE 11 GB07/73551

#### SGS United Kingdom Ltd., N°0120

Unit 202B, Worle Parkway,  
Weston-super-Mare, BS22 6WA, United Kingdom