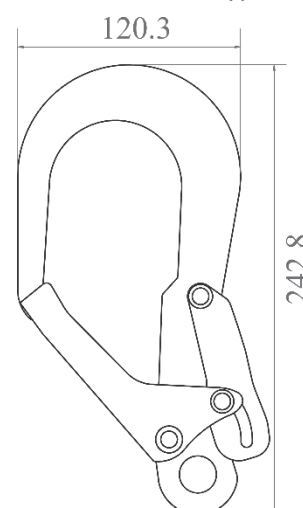





Di-electric rebar hook

- **Opening** : 55 mm.
- **Breaking strength** : 23 kN.
- **Maximum dielectric resistance** : 14 kV.
- Hook made of **steel with polymer composite**.
- Ideal for a use in environments with potential electric hazards.
- **Compliance** : EN362 :2004 Type Q.



**Material:**

Steel with polymer composite

<b>Opening:</b>	<b>CE</b>	<b>Weight :</b>
55 mm		0,56 kg

**KRATOS SAFETY**

689 Chemin du Buclay  
38540 Heyrieux – FRANCE

Tel. : +33 (0)4 72 48 78 27

Fax. : +33 (0)4 72 48 58 32

[www.kratossafety.com](http://www.kratossafety.com) / [info@kratossafety.com](mailto:info@kratossafety.com)

**HS CODE**

7326 90 98

**CARTON SIZE / PIECES**

40 x 30 x 15 cm / 25

**AET N°8157 I1 E2**

**Satra Technology Centre, N°0321**

Wyndham Way, Telford Way, Kettering  
Northamptonshire, NN16 8SD, United Kingdom

**ARTICLE 11 GB07/73551**

**SGS United Kingdom Ltd., N°0120**

Unit 202B, Worle Parkway,  
Weston-super-Mare, BS22 6WA, United Kingdom