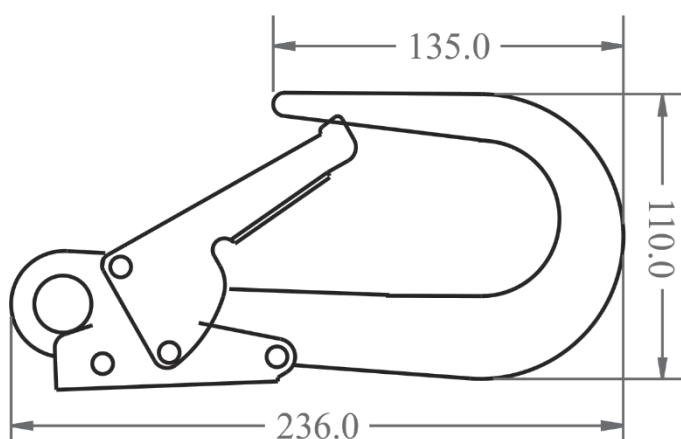




TECHNICAL SHEET FA 50 208 60

ALUMINIUM SCAFFOLD HOOK



Aluminium Scaffold Hook

Opening: 60 mm

Minimum breaking strength: 23 kN

Compliance: EN362 : 2004 Class T.

Material of components:

Aluminium Alloy

	Weight: 0.490 kg
--	----------------------------

KRATOS SAFETY

689 Chemin du Buclay
38540 Heyrieux – FRANCE

Tel : +33 (0)4 72 48 78 27

Fax : +33 (0)4 72 48 58 32

www.kratossafety.com / info@kratossafety.com

HS CODE

7616 99 90

CARTON SIZE / PCS.

40 x 30 x 19 / 25

AET N°3797 I1 E11

Satra Technology Centre, N°0321
Wyndham Way, Telford Way, Kettering
Northamptonshire, NN16 8SD, United Kingdom

ARTICLE 11 GB07/73551

SGS United Kingdom Ltd., N°0120
Unit 202B, Worle Parkway,
Weston-super-Mare, BS22 6WA, United Kingdom