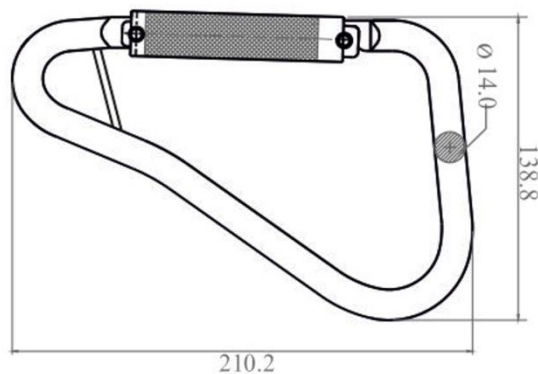




# TECHNICAL SHEET FA 50 215 50

## STEEL TOWER HOOK QUARTER-TURN LOCKING



### Steel Tower Hook Quarter-Turn Locking

**Opening :** 50 mm

**Minimum breaking strength :** 23 kN

**Compliance :** EN362 : 2004 Classe T

### Material of components:

Steel

	<b>Weight:</b> 0.71 kg
--	---------------------------

#### KRATOS SAFETY

689 Chemin du Buclay  
38540 Heyrieux – FRANCE

Tel : +33 (0)4 72 48 78 27

Fax : +33 (0)4 72 48 58 32

[www.kratossafety.com](http://www.kratossafety.com) / [info@kratossafety.com](mailto:info@kratossafety.com)

#### HS CODE

73269098

#### CARTON SIZE / PCS.

40 x 30 x 15 / 25

#### AET N°5982 I1 E1

Satra Technology Centre, N°0321  
Wyndham Way, Telford Way, Kettering  
Northamptonshire, NN16 8SD, United Kingdom

#### ARTICLE 11 GB07/73551

SGS United Kingdom Ltd., N°0120  
Unit 202B, Worle Parkway,  
Weston-super-Mare, BS22 6WA, United Kingdom