







FA 50 215 50



REF.	FA 50 215 50
CE	EN 362:2004 Class B
	23 kN / 50 mm
MAT.	
	QUARTER
KEYLOCK	---
+	CAPTIVE PIN
	0.75 KG



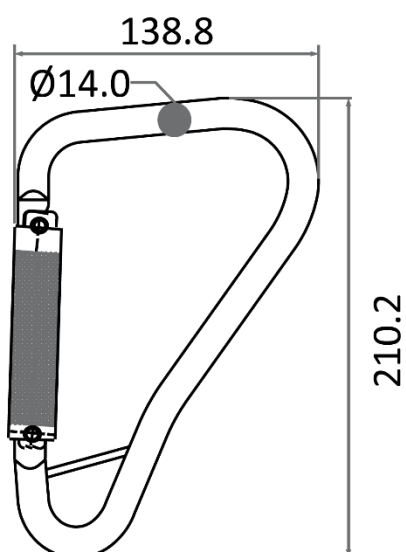
MAT.



Résistance à la rupture / Ouverture
Breaking strength / Gate opening
Resistencia a la ruptura / Apertura
Resistenza alla rottura / Apertura
Bruchfestigkeit / Öffnung

Matière
Material
Material
Materia
Material

Type d'ouverture
Opening system
Tipo de apertura
Sistema di apertura
Öffnungssystem



HS CODE
73269098
CARTON SIZE / PCS.
39x28x14/25
AET (EU) N° (in progress)
Satra Technology Europe Ltd., N° 2777, Bracetown Business Park, Clonee, Dublin, D15YN2P, Ireland
MODULE D FI14/14003.02
SGS Fimko Oy, N°0598 Takomotie 8, 00380 HELSINKI, Finland