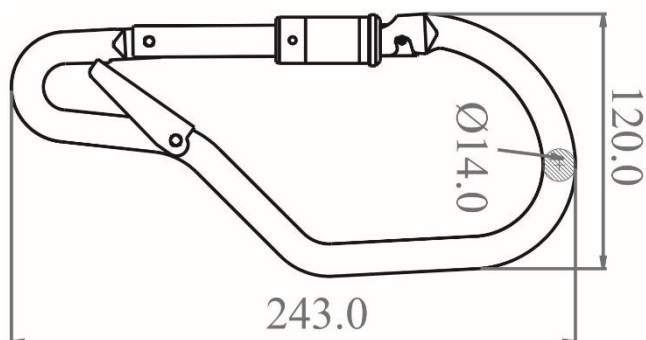




# TECHNICAL SHEET FA 50 214 60

## ALUMINIUM REBAR HOOK



<b>CE</b>	<b>Weight:</b> 0.24 kg
-----------	---------------------------

**KRATOS SAFETY**  
689 Chemin du Buclay  
38540 Heyrieux – FRANCE

Tel : +33 (0)4 72 48 78 27  
Fax : +33 (0)4 72 48 58 32

[www.kratossafety.com](http://www.kratossafety.com) / [info@kratossafety.com](mailto:info@kratossafety.com)

### Aluminium Rebar Hook

**Opening:** 60 mm.

**Minimum breaking strength:** 20 kN.

**Compliance:** EN362 : 2004 Class A and T .

### Material of components:

Aluminium Alloy

<b>HS CODE</b>
7616 99 90
<b>CARTON SIZE / PCS.</b>
40 x 40 x 24 / 50
<b>AET N°5840 I1 E2</b>
Satra Technology Centre, N°0321 Wyndham Way, Telford Way, Kettering Northamptonshire, NN16 8SD, United Kingdom
<b>ARTICLE 11 GB07/73551</b>
SGS United Kingdom Ltd., N°0120 Unit 202B, Worle Parkway, Weston-super-Mare, BS22 6WA, United Kingdom