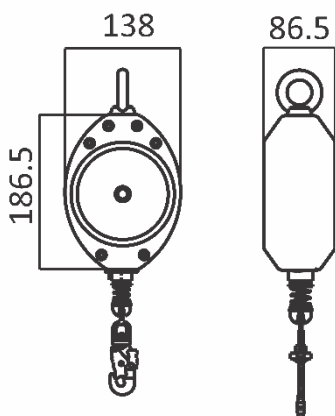


Olympe-S cable, retractable fall arrester 7 m



Olympe-S



- Casing made up of high impact strength Polymer, to prevent breakage.
- Comes with Galvanized Steel Wire Rope of diam. 4.5 mm with a snout for a better gripping of the retractable lanyard.
- Internal braking mechanism to reduce the fall arrest force to less than 6 kN.
- Comes with an external inbuilt energy absorber.
- Swivel at anchorage end and attachment end.

Minimum breaking strength > 12 kN.

Connectors: Steel screw-locking karabiner FA 50 101 17, opening 18 mm, at anchorage end, and steel snap-hook FA 50 203 20, opening 20 mm, with load indicator at attachment end.

Maxi weight for horizontal use : 100 kg.

Maxi weight for vertical use : 100 kg.

Compliance: EN360:2002.

Tested and approved for horizontal use (work near sharp edges) according to VG 11.060 (Rev. 08 - 10/2014).

Material of components:

Protective casing: PA 6 30% fiberglass

Wire rope: Galvanized steel

Connectors: Steel

Snout: Rubber

Length :		Weight :
7 m		3.44 kg

KRATOS SAFETY

689 Chemin du Buclay
38540 Heyrieux – FRANCE

Tel : +33 (0)4 72 48 78 27

Fax : +33 (0)4 72 48 58 32

www.kratossafety.com / info@kratossafety.com

HS CODE
8428 90 90
CARTON SIZE / PIECES
80 x 40 x 24 cm / 5
AET N° 8088 Issue 3 Extension 2
Satra Technology Centre, N°0321 Wyndham Way, Telford Way, Kettering Northamptonshire, NN16 8SD, United Kingdom
ARTICLE 11 GB07/73551
SGS United Kingdom Ltd., N°0120 Unit 202B, Worle Parkway, Weston-super-Mare, BS22 6WA, United Kingdom