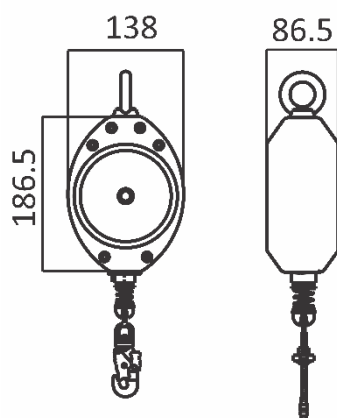


Olympe wire rope retractable fall arrester, length 7 m





- Casing made up of high impact strength Polymer, to prevent breakage.
- Comes with Galvanized Steel Wire Rope of diam. 4.5 mm with a snout for a better gripping of the retractable lanyard.
- Internal braking mechanism to reduce the fall arrest force to less than 6 kN.
- Swivel at anchorage end and attachment end.

Minimum breaking strength > 12 kN.

Connectors: Steel screw-locking karabiner FA 50 101 17, opening 18 mm, at anchorage end, and steel snap-hook FA 50 203 20, opening 20 mm, with load indicator at attachment end.

Average locking speed : 0.6 m/s

Maxi weight for vertical use: 140 kg.

CERTIFIED FOR VERTICAL USE ONLY

Compliance: EN 360 : 2002.

Material of components:

Protective casing: PA 6 30% fiberglass

Wire rope: Galvanized steel

Connectors: Steel

Snout: Rubber

Length:	CE	Weight:
7 m		3.22 kg

KRATOS SAFETY

689 Chemin du Buclay
38540 Heyrieux - FRANCE

Tel : +33 (0)4 72 48 78 27

Fax : +33 (0)4 72 48 58 32

www.kratossafety.com / info@kratossafety.com

HS CODE

8428 90 90

CARTON SIZE / PIECES

80 x 40 x 24 cm / 5

AET N° 6966 Issue 3 Extension 1

Satra Technology Centre, N°0321

Wyndham Way, Telford Way, Kettering
Northamptonshire, NN16 8SD, United Kingdom

ARTICLE 11 GB07/73551

SGS United Kingdom Ltd., N°0120

Unit 202B, Worle Parkway,
Weston-super-Mare, BS22 6WA, United Kingdom