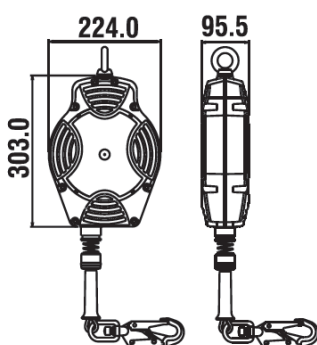


Helixon wire rope, retractable fall arrester 20 m

Helixon



Length:	CE	Weight:
20 m		7.47 kg

KRATOS SAFETY

 689 Chemin du Buclay
 38540 Heyrieux – FRANCE

Tel : +33 (0)4 72 48 78 27

Fax : +33 (0)4 72 48 58 32

www.kratossafety.com / info@kratossafety.com

- Robust & durable polymer casing, equipped with:
 - ✓ a carrying handle,
 - ✓ a wire rope-cleaning brush,
 - ✓ a window, that can be easily removed for reaching the internal mechanism, in order to inspect it without totally opening the casing.
- Galvanized steel wire rope of diam. 4.5 mm, having:
 - ✓ a connector ref. FA 50 203 20 with load indicator,
 - ✓ a gripping handle.
- Internal braking mechanism to reduce the fall arrest force to less than 6 kN.
- Swivel and FA 50 101 17 connector at anchorage end.

Delivered with a cord for guiding the winding back of the wire rope.

- Resistance > 12 kN.

Compliance: EN 360:2002.

Material of components:

Protective casing: PA 6 30% fiberglass

Wire rope: Galvanized steel

Connectors: Steel

Snout: Rubber

HS CODE

8428 90 90

CARTON SIZE / PCS.

60 x 40 x 24 cm / 2

AET N°4023 I13 E3

 Satra Technology Centre, N°0321
 Wyndham Way, Telford Way, Kettering
 Northamptonshire, NN16 8SD, United Kingdom

ARTICLE 11 GB07/73551

 SGS United Kingdom Ltd., N°0120
 Unit 202B, Worle Parkway,
 Weston-super-Mare, BS22 6WA, United Kingdom