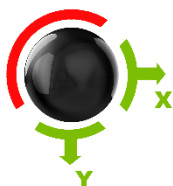


## EXTREMITY PLATE FOR HORIZONTAL WIRE ROPE LIFELINE



Designed to be installed on wall, roof ceiling, ground.

Can be mounted on extremity posts.

**Breaking strength** > 28kN

**Compliance:** EN 795:2012 Type A

➤ **Static strength** > 15 kN

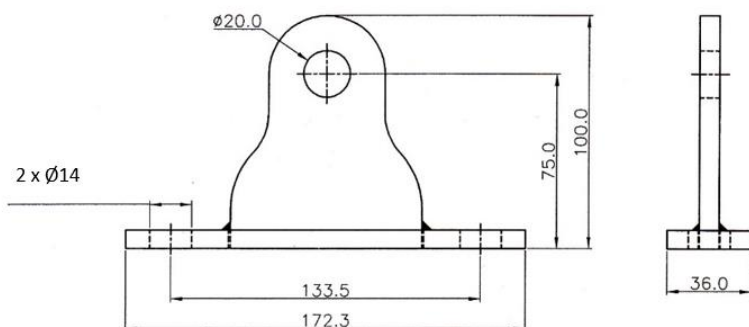
**Dimensions:**

**Length:** 172.3 mm

**Width:** 36 mm

**Height:** 100 mm

Fixing through 2 pcs. of M12, use chemical fixing for installation in concrete.



**Material:**

Stainless steel

	<b>Weight :</b>
	680 g

**KRATOS SAFETY**  
689, Chemin du Buclay  
38540 HEYRIEUX (France) – FRANCE

Tel. : +33 (0)4 72 48 78 27

Fax. : +33 (0)4 72 48 58 32

[www.kratossafety.com](http://www.kratossafety.com) / [info@kratossafety.com](mailto:info@kratossafety.com)

**HS CODE**

**CARTON SIZE / PCS.**

39 x 28 x 14 cm / 15

**Product tested at DOLOMITICERT & SATRA**

**DolomitiCert Scarl, n°2008**

**Zona Industriale Villanova – 32013 LONGARONE**

Test report 151016 – Against EN795 : 2012

Test report 1510107 – Against CEN/TS 16415 : 2013

**Satra Technology Centre Ltd, n°0321**

**Wyndham Way, Telford Way, Kettering, Northamptonshire,**

**NN16 8SD United Kingdom**

Test report SPC0251999/1647 - Against EN795 : 2012 Type C